

HOT ZONE HANDLING DEVICE

8" ~ 12"

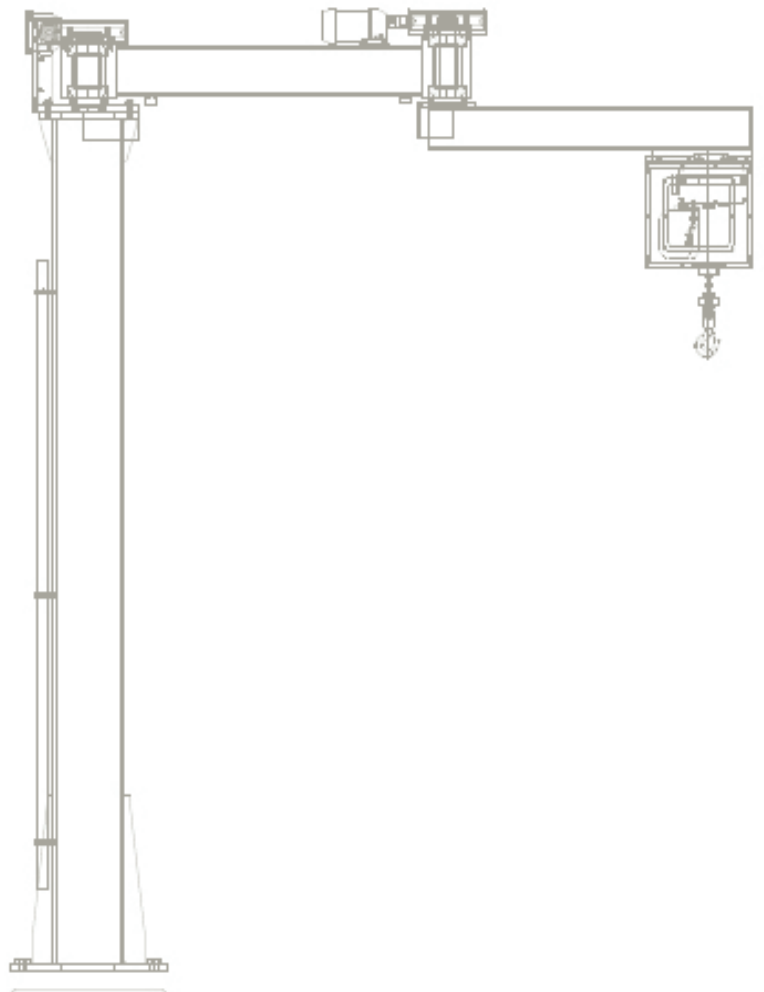
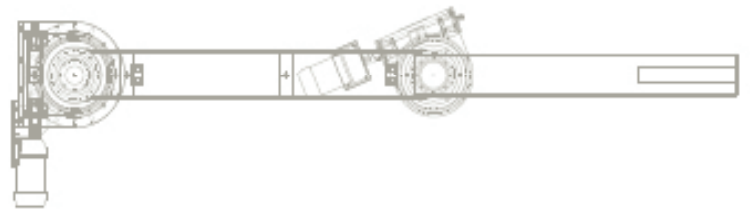
Jib Crane for Hot Zone Handling

Designed for photovoltaics / Semiconductor application

Friendly interfaced operation

Safety oriented design

Easy maintenance





HOT ZONE HANDLING DEVICE

8" / 12"

Specification

For 8" Puller

Rated Load	250 kg
Testing Load	313 kg
Lift Up Stroke	approx. max 4,000 mm
Hoist Motor Speed	10 m/min
Motor Capacity	1.0 kW
Electrical Power	AC 220V, 3 phase, 60Hz
Control	Pendant push button

For 12" Puller

Rated Load	1,000 kg
Testing Load	1,250 kg
Lift Up Stroke	approx. max 4,500 mm
Hoist Motor Speed	8.2 m/min
Motor Capacity	1.8 kW
Electrical Power	AC 220V, 3 phase, 60Hz
Control	Pendant push button

Handling for Hot zone components only.

